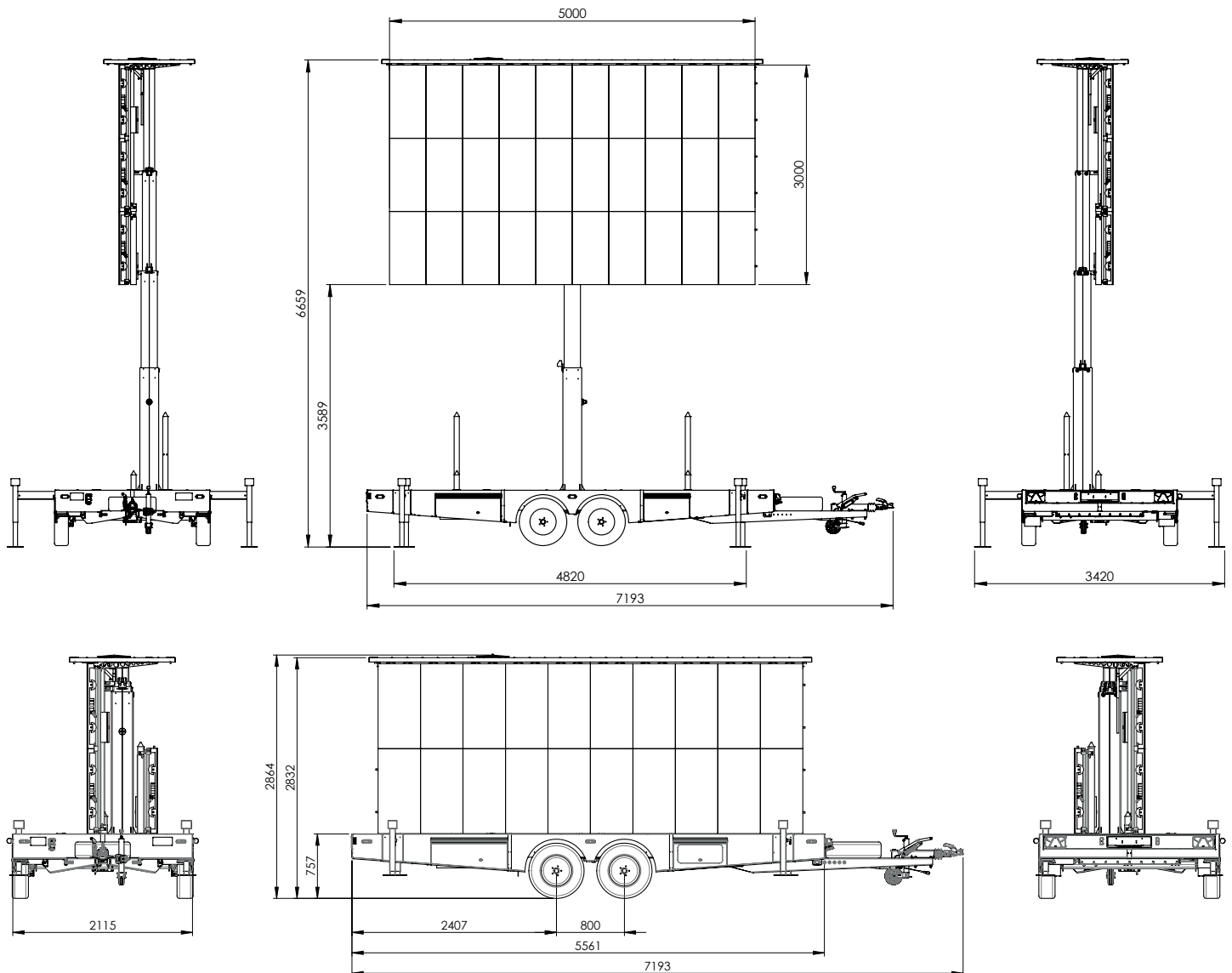


# TRAILER SPECIFICATION

## PlatformLED SLP15



### DIMENSIONS FOR TRANSPORT

Length with drawbar	7193 mm
Length without drawbar	5561 mm
Width	2115 mm
Height	2832 mm

### DIMENSIONS WITH UNFOLDED SCREEN

Width	3420 mm
Length	7193 mm
Height to top of the screen	6659 mm
Height to bottom of the screen	3589 mm

### WEIGHT

GVWR weight	3200 kg or 3500 kg
Real weight with the screen	≈ 3000 kg
Real weight without the screen	≈ 2400 kg

### LED SCREEN DETAILS

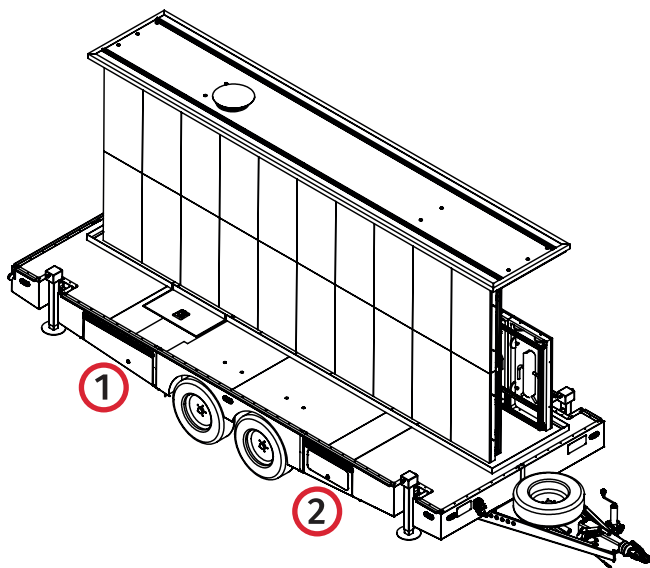
Area	15 m <sup>2</sup>
Width	5 m
Height	3 m
Model	InfLED GXII (P3.91 or P4.63), InfLED AR (P3.91) or your LED screen
Resolution P3.91	1280 x 768 px
Resolution P4.63	1080 x 648 px
Videoprocessor	Novastar VX4S

### HYDRAULIC SYSTEM

Motor power	1,5 kW (400V)
Flow rate	6 dm <sup>3</sup> /min
Nominal pressure	11 MPa
Oil type	HL46 or HL32 (for lower temperatures)
Oil quantity	≈ 40 dm <sup>3</sup>

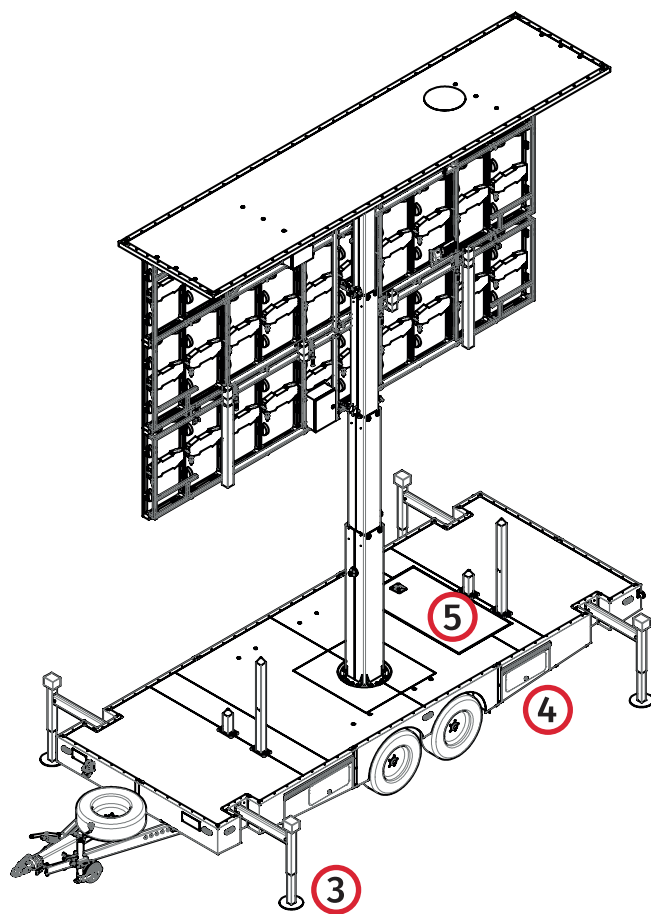
### POWER

Power socket	400V 16A
Power generator	for additional fee
GXII screen turned on Max. power consumption (InfLED GXII)	10,20 kW
GXII screen turned on Avg. power consumption (InfLED GXII)	3,39 kW
AR screen turned on Max. power consumption (InfLED AR)	8,10 kW
AR screen turned on Avg. power consumption (InfLED AR)	2,70 kW
Screen mast Power consumption (lifting, rotation)	1,5 kW
Other equipment Power consumption (wind sensor, video processor etc.)	max. 0,5 kW



### STORAGE BOXES

1	electrical box
2	Hydraulic levers and hand pump
3	Rack 19" 2U and 2x 230V sockets
4	fire extinguisher , remote controller, outrigger's key, grounding rod, elastic rope for secure tarpaulin, key for tarpaulin folding
5	hydraulic pump engine and oil tank



### CONSTRUCTION

Chassis	Galvanized, made according to DIN EN 13814 and DIN EN 13782
Axles and brakes	2x AL-KO
Mast	360° hydraulic rotated , galvanized and black powder coated
Mast control	remote controller, hydraulic levers and emergency hand pump
Finishing	aluminium profile, powder coated
Color	in standard - black additional fee - any from RAL
Wind rating	20 m/s (72 km/h) 15 m/s for TÜV norms (DIN EN 13814)
Wind sensor	according to DIN EN 13814 (with alarm)

### OTHER DETAILS

Wind rating	20 m/s (72 km/h) 15 m/s for TÜV norms
IP rating	IP65 (fully waterproof)
Road approval	EU road approval
Cover for transport	tarpaulin
Mast control	remote controller, hydraulic levers and emergency hand pump
Warranty	3 years